



Cable and Port Specifications

This appendix includes the cables and connectors used with the Cisco MDS 9396T Multilayer Fabric Switch.

**Caution**

We strongly recommend that power cable runs and other potential noise sources be located as far away as practical from network cabling that terminates on Cisco equipment. In situations where long parallel cable runs exist but cannot be separated by at least 3.3 ft. (1 m), we recommend that you shield these potential noise sources. To avoid interference, the source should be shielded by housing it in a grounded metallic conduit.

- [Cables and Adapters, on page 1](#)
- [Console Port, on page 2](#)
- [MGMT 10/100/1000 Ethernet Port, on page 3](#)
- [Supported Power Cords and Plugs, on page 5](#)

Cables and Adapters

The Cisco MDS 9396T Switch accessory kit includes the following:

- RJ-45 to RJ-45 rollover cable
- RJ-45 to DB-9 female DTE adapter (labeled “Terminal”)
- RJ-45 to DB-25 female DTE adapter (labeled “Terminal”)
- RJ-45 to DB-25 male DCE adapter (labeled “Modem”)

**Note**

Additional cables and adapters can be ordered from your customer service representative.

**Note**

If you purchased this product through a Cisco reseller, contact the reseller directly for technical support. If you purchased this product directly from Cisco, contact Cisco Technical Support at this URL: <http://www.cisco.com/c/en/us/support/index.html>.

Console Port

The console port is an asynchronous RS-232 serial port with an RJ-45 connector. You can use the RJ-45 to RJ-45 rollover cable and the RJ-45 to DB-9 female adapter or the RJ-45 to DB-25 female DTE adapter (depending on your computer serial port) to connect the console port to a computer running terminal emulation software.

Console Port Pinouts

The following table lists the pinouts for the console port on the Cisco MDS 9396T Switch.

Table 1: Console Port Pinouts

Pin	Signal
1 ¹	RTS
2	DTR
3	TxD
4	GND
5	GND
6	RxD
7	DSR
8	CTS

1. Pin 1 is connected internally to pin 8.

Connecting the Console Port to a Computer Using the DB-25 Adapter

You can use the RJ-45 to RJ-45 rollover cable and RJ-45 to DB-25 female DTE adapter (labeled “Terminal”) to connect the console port to a computer running terminal emulation software. The following table lists the pinouts for the console port, the RJ-45 to RJ-45 rollover cable, and the RJ-45 to DB-25 female DTE adapter.

Table 2: Port Mode Signaling and Pinouts with DB-25 Adapter

Console Port	RJ-45 to RJ-45 Rollover Cable		RJ-45 to DB-25 Terminal Adapter	Console Device
Signal	RJ-45 Pin	RJ-45 Pin	DB-25 Pin	Signal
RTS	1	8	5	CTS
DTR	2	7	6	DSR
TxD	3	6	3	RxD

Console Port	RJ-45 to RJ-45 Rollover Cable		RJ-45 to DB-25 Terminal Adapter	Console Device
GND	4	5	7	GND
GND	5	4	7	GND
RxD	6	3	2	TxD
DSR	7	2	20	DTR
CTS	8	1	4	RTS

Connecting the Console Port to a Computer Using the DB-9 Adapter

You can use the RJ-45 to RJ-45 rollover cable and RJ-45 to DB-9 female DTE adapter (labeled “Terminal”) to connect the console port to a computer running terminal emulation software. The following table lists the pinouts for the console port, the RJ-45 to RJ-45 rollover cable, and the RJ-45 to DB-9 female DTE adapter.

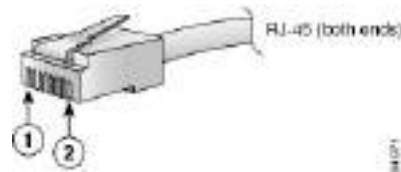
Table 3: Port Mode Signaling and Pinouts with DB-9 Adapter

Console Port	RJ-45 to RJ-45 Rollover Cable		RJ-45 to DB-9 Terminal Adapter	Console Device
Signal	RJ-45 Pin	RJ-45 Pin	DB-9 Pin	Signal
RTS	1	8	8	CTS
DTR	2	7	6	DSR
TxD	3	6	2	RxD
GND	4	5	5	GND
GND	5	4	5	GND
RxD	6	3	3	TxD
DSR	7	2	4	DTR
CTS	8	1	7	RTS

MGMT 10/100/1000 Ethernet Port

Use a modular, RJ-45, straight-through UTP cable to connect the 10/100/1000 management Ethernet port to external hubs and switches. To connect to a router, use a crossover cable.

Figure 1: RJ-45 Interface Cable Connector



1	Pin 1	2	Pin 8
---	-------	---	-------

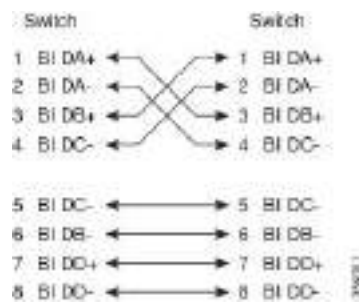
The following table lists the connector pinouts and signal names for a 10/100/1000BASE-T management port (MDI) cable.

Table 4: 10/100/1000BASE-T Management Port Cable Pinout

Pin	Signal
1	BI DA+
2	BI DA-
3	BI DB+
4	BI DC+
5	BI DC-
6	BI DB-
7	BI DD+
8	BI DD-

The following figure shows a schematic of the 10/100/1000BASE-T cable.

Figure 2: Twisted-Pair 10/100/1000BASE-T Cable Schematic



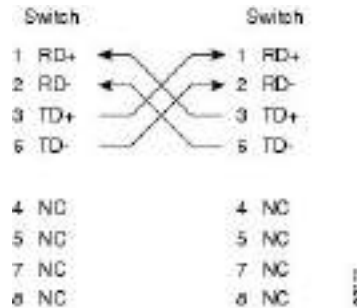
The following table lists the connector pinouts and signal names for a 10/100BASE-T management port (MDI) cable.

Table 5: 10/100BASE-T Management Port Cable Pinout

Pin	Signal
1	TD+
2	TD-
3	RD+
4	RD-
5	Not used
6	Not used
7	Not used
8	Not used

The following figure shows a schematic of the 10/100BASE-T cable.

Figure 3: Twisted-Pair 10/100BASE-T Cable Schematic



Supported Power Cords and Plugs

Each switch power supply unit requires one power cord. Cisco approved cords may be ordered with the product. Standard power cords with a country specific plug can be used with wall outlets. Jumper power cords can be used with cabinet outlets. The user may also source their own power cords for the product, as long as they meet the power cord specifications for this product.



Note

- Only standard power cords and jumper power cords provided with the switch are supported.
- If you do not order a power cord with the system, you are responsible for selecting the appropriate power cord for the product. Using a non-compatible power cord with this product may result in electrical safety hazard. Orders delivered to Argentina, Brazil, and Japan must have the appropriate power cord ordered with the system.

Table 6: Power Cords for Cisco MDS 9396T Switch, on page 6 lists the power cords for the Cisco MDS 9396T switch and provides their lengths in feet and meters. Table 7: Power Cable Specifications for HVAC

Power Supplies, on page 7 lists the power cables for the HVAC power supply that is available for the Cisco MDS 9396T switch.

Table 6: Power Cords for Cisco MDS 9396T Switch

Description	Part Number	Length	
		Feet	Meters
Power Cord, 250VAC 10A IRAM 2073 Plug, Argentina	CAB-9K10A-AR	8.2	2.5
Power Cord, 250VAC 10A 3112 Plug, Australia	CAB-9K10A-AU	8.2	2.5
Power Cord, 250VAC 10A, Brazil	CAB-250V-10A-BR	8.2	2.5
Power Cord, 250VAC 10A GB1002 Plug, China	CAB-9K10A-CH	8.2	2.5
Power Cord, 250VAC 10A CEE 7/7 Plug, EU	CAB-9K10A-EU	8.2	2.5
Power Cord, 250VAC 10A SI16S3 Plug, Israel	CAB-9K10A-ISR	8.2	2.5
Power Cord, 250VAC 10A CEI 23-16/VII Plug, Italy	CAB-9K10A-IT	8.2	2.5
Power Cord, 125VAC 13A KSC8305 Plug, Korea	CAB-9K10A-KOR	8.2	2.5
Power Cord, 125VAC 13A NEMA 5-15 Plug, North America	CAB-9K12A-NA	8.2	2.5
Power Cord, 250VAC 10A SABS 164/1 Plug, South Africa	CAB-9K10A-SA	5.12	1.82
Power Cord, 250VAC 10A, Straight C15, MP232 Plug, SWITZ	CAB-9K10A-SW	8.2	2.5
Power Cord, 125VAC 15A CNS10917-2, Taiwan	CAB-9K10A-TWN	8.2	2.5

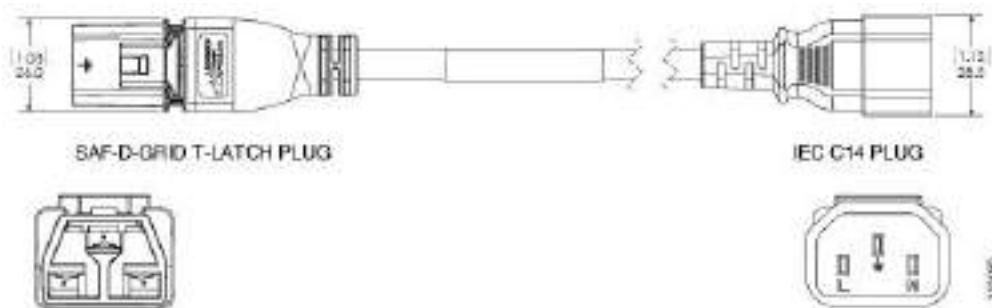
Description	Part Number	Length	
		Feet	Meters
Power Cord, 250VAC 10A BS1363 Plug (13 A fuse), UK	CAB-9K10A-UK	8.2	2.5
Cabinet Jumper Power Cord, 250 VAC 13A, C14-C15 Connectors	CAB-C15-CBN	4	1.22
Cabinet Jumper Power Cord, 250 VAC 13A, C14-C15 Connectors, China, Republic of Korea	CAB-C15-CBN-CK	9.1	3
Cabinet Jumper Power Cord, 250 VAC 13A, C14-C15 Connectors, EU, Russian Federation, Belarus, Kazakhstan and Australia	CAB-C15-CBN-EURA	9.1	3

Table 7: Power Cable Specifications for HVAC Power Supplies

Power Type	Power Cord	Description
HVAC	CAB-HVAC-C14-2M	6.6-foot (2.0 m) cable with Saf-D-Grid and C14 connector (use for up to 240 V)

The following figure shows the power cord used with the 1.23-kW HVAC Power Supply Unit:

Figure 4: CAB-HVAC-C14-2M Power Cord and Plugs for the 1.23-kW HVAC Power Supply Unit



Standard Power Cords

Each switch power supply unit requires one power cord. Cisco approved cords may be ordered with the product. Standard power cords with a country specific plug can be used with wall outlets. Jumper power cords can be used with cabinet outlets. The user may also source their own power cords for the product, as long as they meet the power cord specifications for this product.

Cisco standard power cords for the Cisco MDS 9396T switch have an IEC C15 connector on the outlet end of the cord and a country specific plug on the inlet end of the cord. To see the list of supported standard power cords, see the [Cisco MDS 9396T 32-Gbps 96-Port Fibre Channel Switch Data Sheet](#).

Jumper Power Cords

Jumper power cords have an IEC C15 connector on the outlet end of the cord and an IEC C14 connector on the inlet end of the cord. This cord is compatible with IEC C13 outlet receptacles. This type of outlet receptacle is commonly used for power distribution inside cabinets.

The following figure lists the available plug types and cord descriptions.

Figure 5: Description of Jumper Power Cords for Cisco MDS 9396T Switch

